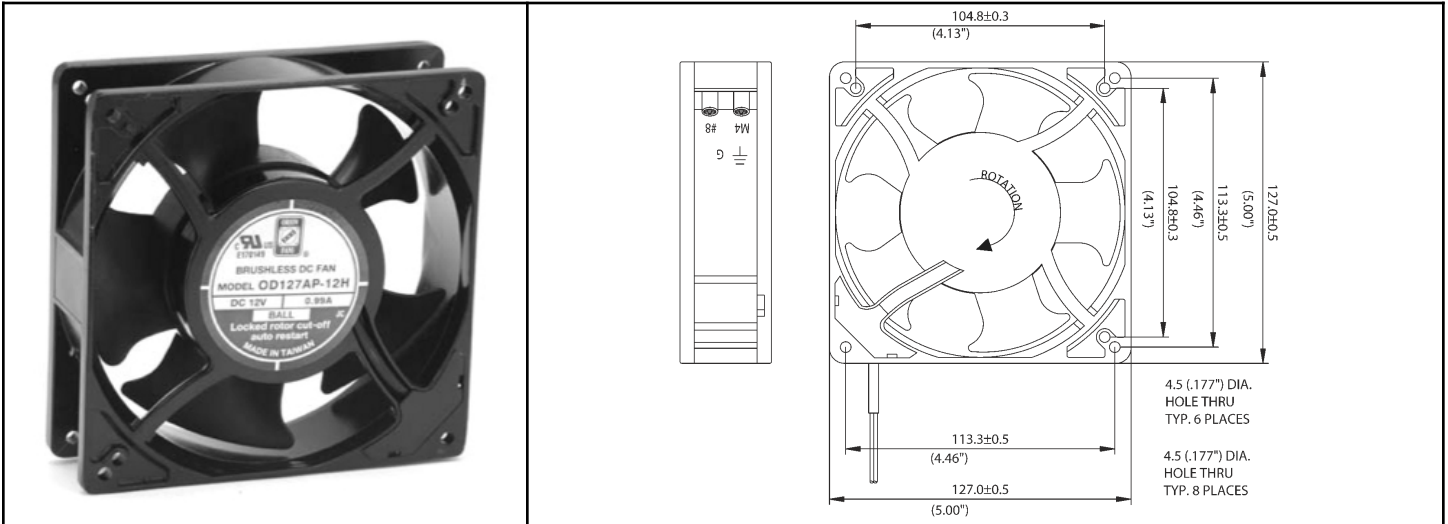


OD127AP Series



DC Fan - 12, 24, 48V
127x38.5mm (5.0"x 1.5")



Frame	Diecast Aluminum	Available Options: Tachometer (FG) Alarm (RD) Thermal Speed Control (Thermistor) PWM Input (Manual Speed Control) Sleeve bearing <u>Life Expectancy (L10)</u> Ball - 60,000 hrs (45C) <u>Operating Temperature</u> Ball: -20 ~ 75C	
Impeller	PBT, UL94V-O plastic		
Connection	2x Lead wires or terminals		
Motor	Brushless DC, auto restart, polarity protected		
Bearing System	Dual Ball bearing		
Insulation Resistance	10M ohm between leadwire and frame (500VDC)		
Dielectric Strength	1 second at 500 VAC, max leakage - 500 MicroAmp		
Storage Temperature	-30C ~ +90C		

Model Number	Speed (RPM)	Airflow (CFM)	Noise (dB)	Volts DC	Voltage Range	Amps	Max. Static Pressure ("H2O)
OD127AP-12HB	3000	140	46	12	9~14	0.50	0.41
OD127AP-12MB	2600	108	38	12	9~14	0.40	0.33
OD127AP-12LB	1900	86	30	12	9~14	0.20	0.15
OD127AP-24HB	3000	140	46	24	12~28	0.23	0.41
OD127AP-24MB	2600	108	38	24	12~28	0.19	0.33
OD127AP-24LB	1900	86	30	24	12~28	0.15	0.15
OD127AP-48HB	3000	140	46	48	26~56	0.10	0.41
OD127AP-48MB	2600	108	38	48	26~56	0.08	0.33
OD127AP-48LB	1900	86	30	48	26~56	0.07	0.15